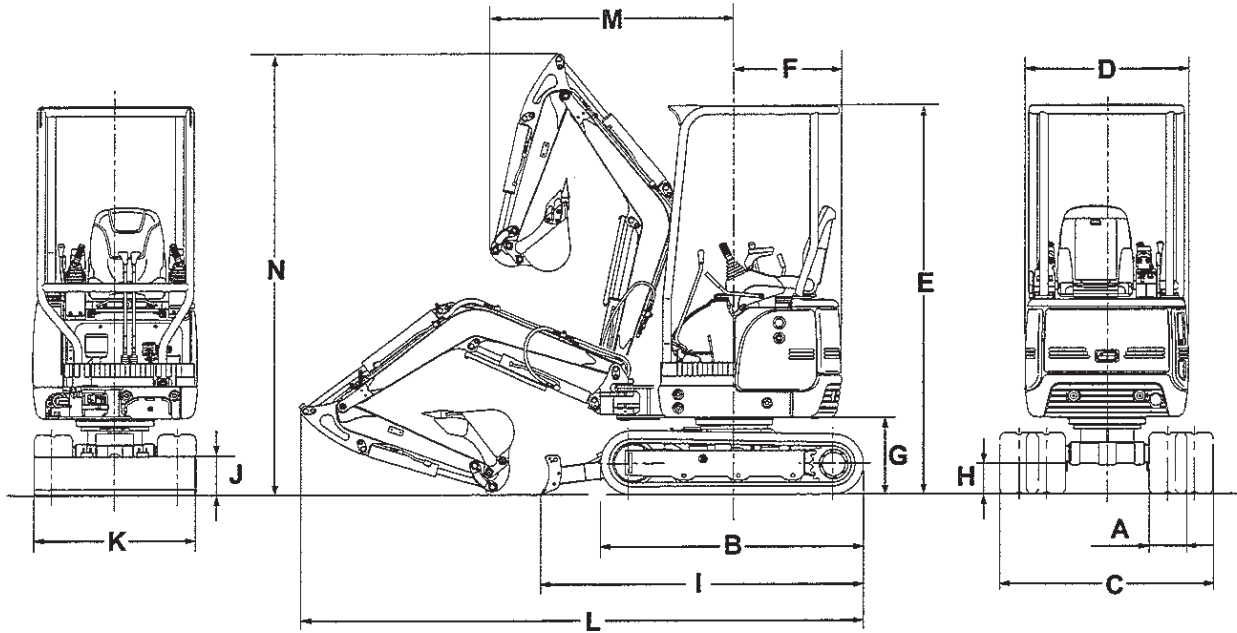


1-2-1 OVERALL DIMENSIONS

1. OVERALL DIMENSIONS

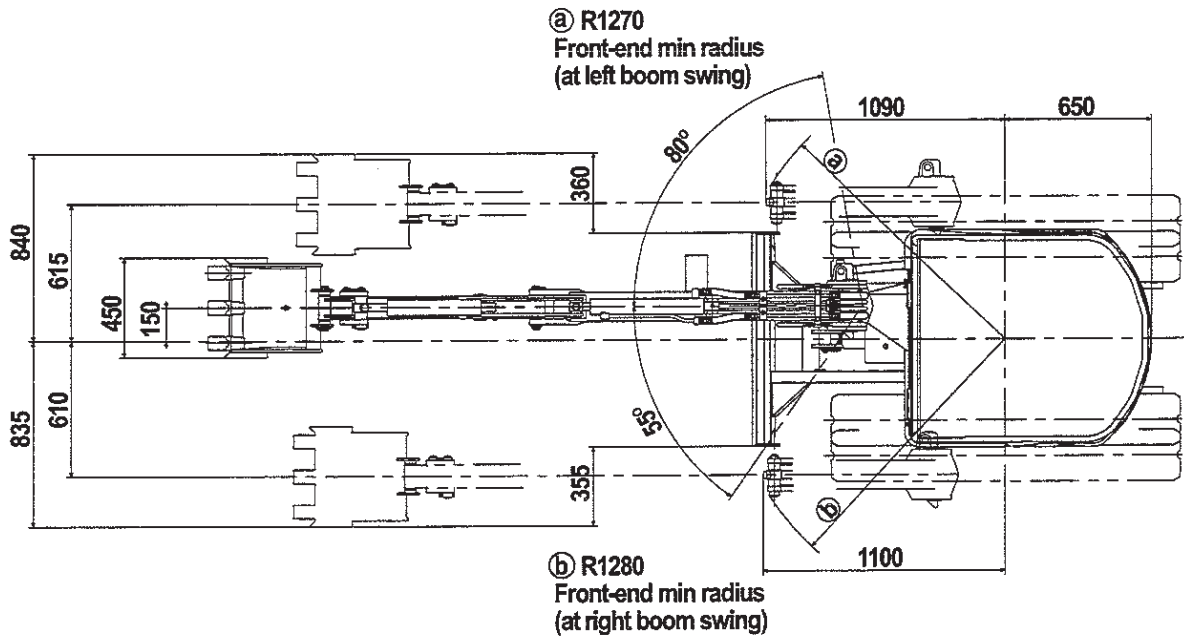


Unit: mm

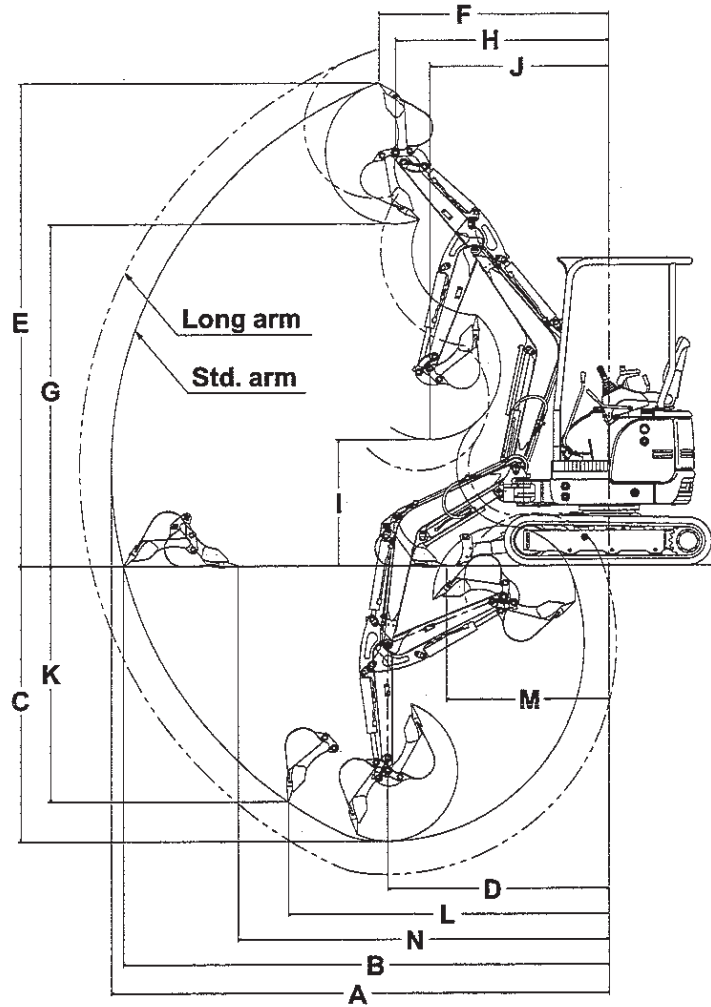
Codes	Description	STD		ADD Weight	
		Rubber shoe	Steel shoe	Rubber shoe	Steel shoe
A	Crawler shoe width	230	230	230	230
B	Overall length of crawler	1570	1540	1570	1540
C	Overall width of crawler	960~1280	960~1280	960~1280	960~1280
D	Canopy width	980	980	980	980
E	Canopy height	2330	2330	2330	2330
F	Rear end swing radius	650	650	720	720
G	Rear end ground clearance	460	460	460	460
H	Mini. ground clearance	175	175	175	175
I	Overall length of undercarriage	1930	1930	1930	1930
J	Blade height	235	235	235	235
K	Blade width	960	960	960	960
L	Overall length Blade in front	3380	3380	3380	3380
	Blade in rear	3750	3750	3750	3750
M	Front end mini. radius at center	1490	1490	1490	1490
N	Arm head clearance	2630	2630	2630	2630

1-3-1 WORKING RANGE

■ BOOM SWING DIGGING WORKING RANGE



■ WORKING RANGE (BACK HOE)



Unit: mm

Key	Description	Std. arm	Long arm
	Std. of bucket capacity (m <sup>3</sup> ), ISO Heaped	0.044	0.033
A	Max. digging radius	3760	3990
B	Max. bucket outreach at ground level	3660	3910
C	Max. digging depth(Not used blade)	2100	2350
D	Radius of max. digging depth	1680	1680
E	Max. digging height	3610	3810
F	Radius of max. digging height	1740	1900
G	Max. dumping height	2560	2760
H	Radius of max. dumping height	1610	1770
I	Min. dumping height	950	720
J	Radius of min. dumping height	1350	1440
K	Max. vertical digging depth	1770	2010
L	Radius of max. vertical digging depth	2430	2490
M	Radius of min. digging ground level	1220	1120
N	Max. clean-up radius at floor level	2810	3040